

LED Traffic Signal

Series 438 230Vac

200 mm / 300 mm

EU4 DIN VDE 0832

Red, Amber,
Green and White



View of blackened lens
type signal when off



- High efficiencies as a result of the new High Flux Reflector Technology and Central Light Source
- No Colour Phantom when fitted with the blackened (smoked effect) lens
- Unrivalled reading contrast

Dialight Garufo GmbH
Gewerbepark Spörerau 25, 85368 Wang, Deutschland
Tel.: +49(0)8709/9249-0 Fax: +49(0)8709/9249-10
Email: sales@dialightgarufo.com
Internet: www.dialightgarufo.com

Optical advantages and characteristics

	Typical Data		Standard		Definition	
	200 mm	300 mm	200 mm	300 mm	200 mm	300 mm
Luminous Intensity Red Yellow Green	350 cd 350 cd 350 cd	400 cd 400 cd 400 cd	EN 12368, 6.3, Tab. 1		B 2/1 Type W	B3/1 Type N
Light distribution	Wide angle	Narrow angle	EN 12368, 6.4, Tab. 3	EN 12368, 6.4, Tab. 5	Type W, category B	Type N, category B
Uniformity	minimum 1:3.3	minimum 1: 3.5	EN 12368, 6.5		>1:10	>1:15
Phantom light	No colour phantom (black lens)		EN 12368, 6.6		No 'false' signal in direct sunlight	
Ratio signal light / reflection	Red > 16	Red > 8	EN 12368, 6.6		Red: class 5	Red: class 4
Light colours	Red , Amber,Green , White		EN 12368, 6.7 DIN 6163, Part 5			

Testing carried out by BASt Germany and SIQ (black lens type). Red type TÜV approved DIN VDE0832 measured at room temperature

Electrical characteristics:

Input voltage range 190VAC to 265VAC

		Typical power consumption	Current at 230Vac
200mm	Red	17 Watt	75 mA
	Yellow	17 Watt	75 mA
	Green	17 Watt	75 mA
	White	17 Watt	75 mA
300mm	Red	17 Watt	75 mA
	Yellow	17 Watt	75 mA
	Green	17 Watt	75 mA
	White	17 Watt	75 mA

measured at room temperature

Ambient Conditions

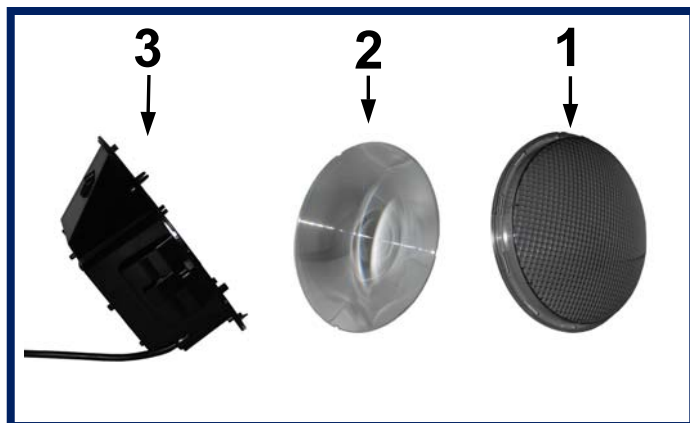
Storage temperature	-20°C to +60°C
Storage relative humidity	Max. 70%
Operating temperature	-40°C to +60°C

Part Numbers

	Black Outer Lens	Coloured Outer Lens
200mm	Red 144128	N/A
	Amber 144129	N/A
	Green 144130	N/A
	White 144131	N/A
300mm	Red 144132	N/A
	Amber 144133	N/A
	Green 144134	N/A
	White 144135	N/A

Dialight Garufo GmbH
 Gewerbepark Spörerau 25, 85368 Wang, Deutschland
 Tel.: +49(0)8709/9249-0 Fax: +49(0)8709/9249-10
 Email: sales@dialightgarufo.com
 Internet: www.dialightgarufo.com

Composition

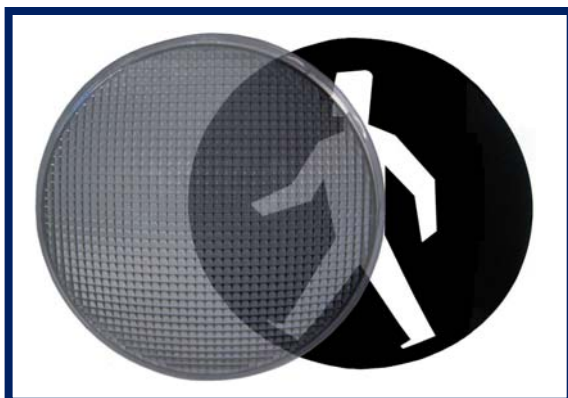


- 1. Front lens material:**
Polycarbonate.
(Black and colour dye lens available)
- 2. Fresnel lens material:**
Clear Acrylic
- 3. Base housing material:**
Polycarbonate

Symbols

Flexible symbol design

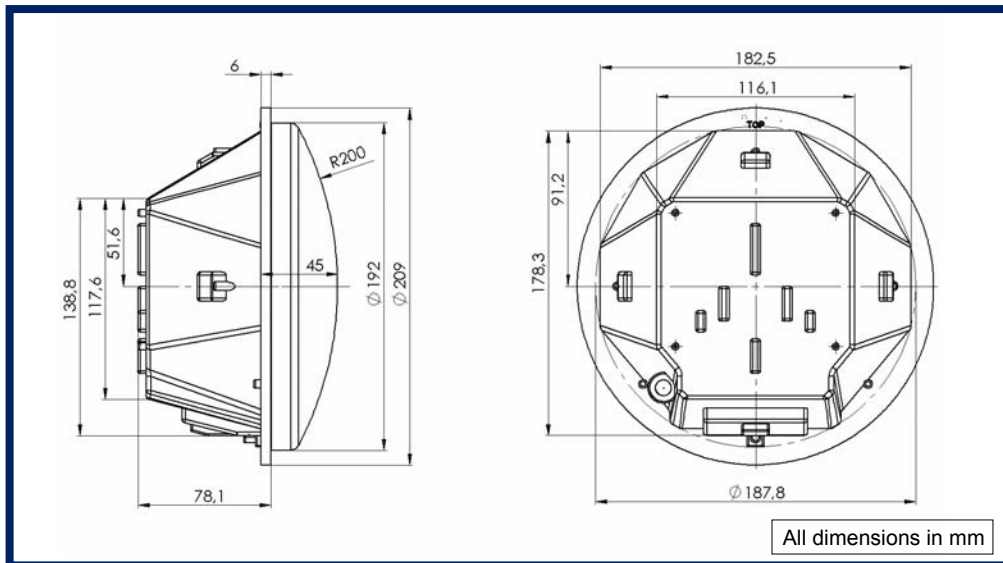
Standard or customised symbol designs can be supplied on laser-cut, polycarbonate masks. The mask is mounted inside the outer lens or supplied separately. The outer lens can be supplied in a 'semi-locked' condition to allow the mask to be swapped or removed before the lens is finally locked in position and installed.



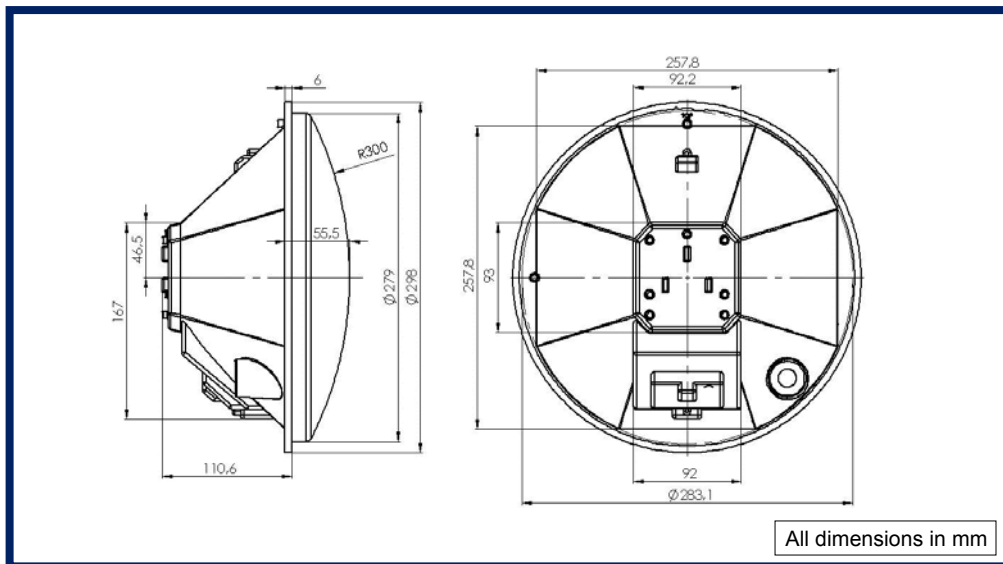
Dialight Garufo GmbH
Gewerbepark Spörerau 25, 85368 Wang, Deutschland
Tel.: +49(0)8709/9249-0 Fax: +49(0)8709/9249-10
Email: sales@dialightgarufo.com
Internet: www.dialightgarufo.com

Dimensions

200mm



300mm



Dialight Garufo GmbH
Gewerbepark Spörrau 25, 85368 Wang, Deutschland
Tel.: +49(0)8709/9249-0 Fax: +49(0)8709/9249-10
Email: sales@dialightgarufo.com
Internet: www.dialightgarufo.com