

LED Traffic Signal

Series 438 230Vac
200 mm / 300 mm
EU1



View of blackened lens
type signal when off



- **High efficiencies as a result of the new High Flux Reflector Technology and Central Light Source**
- **No Colour Phantom when fitted with the blackened (smoked effect) lens**
- **Unrivalled reading contrast**

Dialight Garufo GmbH
Gewerbepark Spörerau 25, 85368 Wang, Deutschland
Tel.: +49(0)8709/9249-0 Fax: +49(0)8709/9249-10
Email: sales@dialightgarufo.com
Internet: www.dialightgarufo.com

Optical advantages and characteristics

	Typical Data		Standard		Definition	
	200 mm	300 mm	200 mm	300 mm	200 mm	300 mm
Luminous Intensity Red Yellow Green	350 cd 350 cd 350 cd	400 cd 400 cd 400 cd	EN 12368, 6.3, Tab. 1		B 2/1 Type W	B3/1 Type N
Light distribution	Wide angle	Narrow angle	EN 12368, 6.4, Tab. 3	EN 12368, 6.4, Tab. 5	Type W, category B	Type N, category B
Uniformity	minimum 1:2,2	minimum 1: 2,5	EN 12368, 6.5		>1:10	>1:15
Phantom light	No colour phantom (black lens)		EN 12368, 6.6		No 'false' signal in direct sunlight	
Ratio signal light / reflection	Red > 16 Yellow > 16 Green > 16	Red > 16 Yellow > 8 Green > 16	EN 12368, 6.6		class 5 class 5 class 5	class 5 class 4 class 5
Light colours	Red ,Yellow, Green , White		EN 12368, 6.7 DIN 6163, Part 5			

Testing carried out by BAST and SIQ (black lens type)

measured at room temperature

Electrical characteristics:

	Typical power consumption	Current at 230 Vac
Red	Nominal 9.5 Watt	41 mA
Yellow	Nominal 9.5 Watt	41 mA
Green	Nominal 9 Watt	39 mA
White	Nominal 9 Watt	39 mA

measured at room temperature

Ambient Conditions

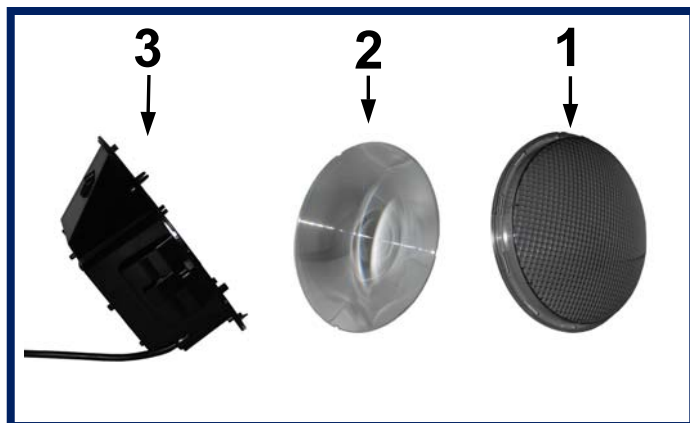
Storage temperature	-20°C to +60°C
Storage relative humidity	Max. 70%
Operating temperature	-40°C to +60°C

Part Numbers

	Black Outer Lens	Coloured Outer Lens
200mm	Red 143806	Red 143909
	Amber 143807	Amber 143910
	Green 143808	Green 143911
	White 143915	N/A
300mm	Red 143809	Red 143912
	Amber 143810	Amber 143913
	Green 143811	Green 143914
	White 143916	N/A

Dialight Garufo GmbH
 Gewerbepark Spörerau 25, 85368 Wang, Deutschland
 Tel.: +49(0)8709/9249-0 Fax: +49(0)8709/9249-10
 Email: sales@dialightgarufo.com
 Internet: www.dialightgarufo.com

Composition

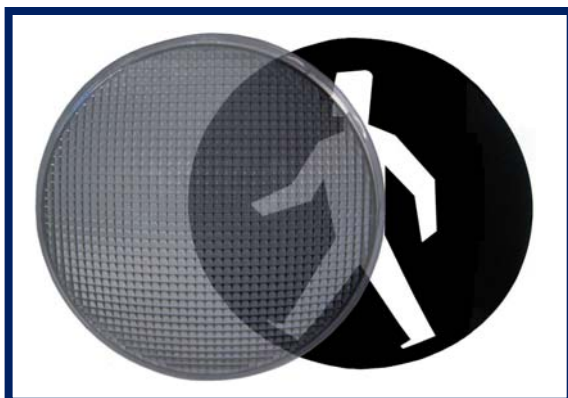


- 1. Front lens material:**
Polycarbonate.
(Black and colour dye lens available)
- 2. Fresnel lens material:**
Clear Acrylic
- 3. Base housing material:**
Polycarbonate

Symbols

Flexible symbol design

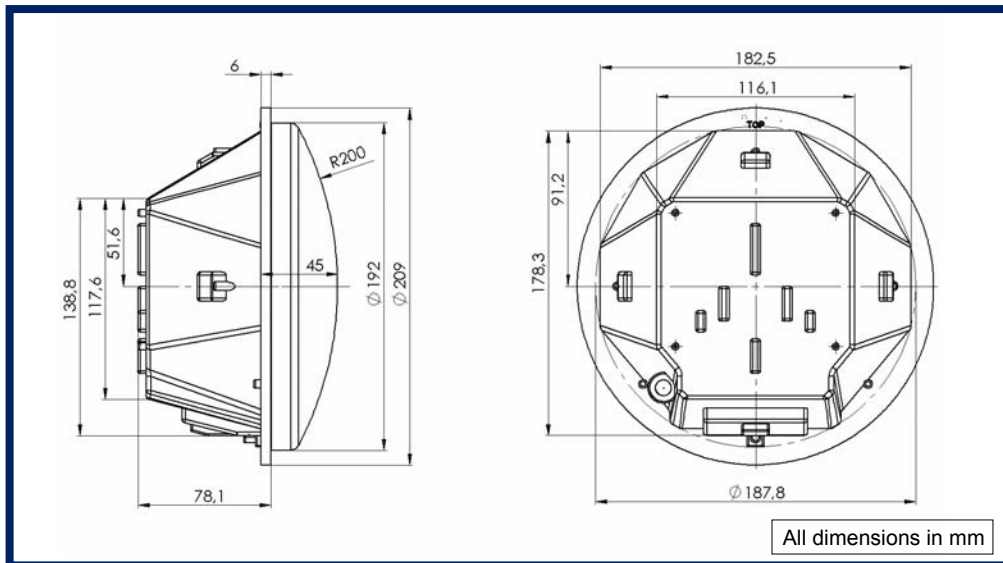
Standard or customised symbol designs can be supplied on laser-cut, polycarbonate masks. The mask is mounted inside the outer lens or supplied separately. The outer lens can be supplied in a 'semi-locked' condition to allow the mask to be swapped or removed before the lens is finally locked in position and installed.



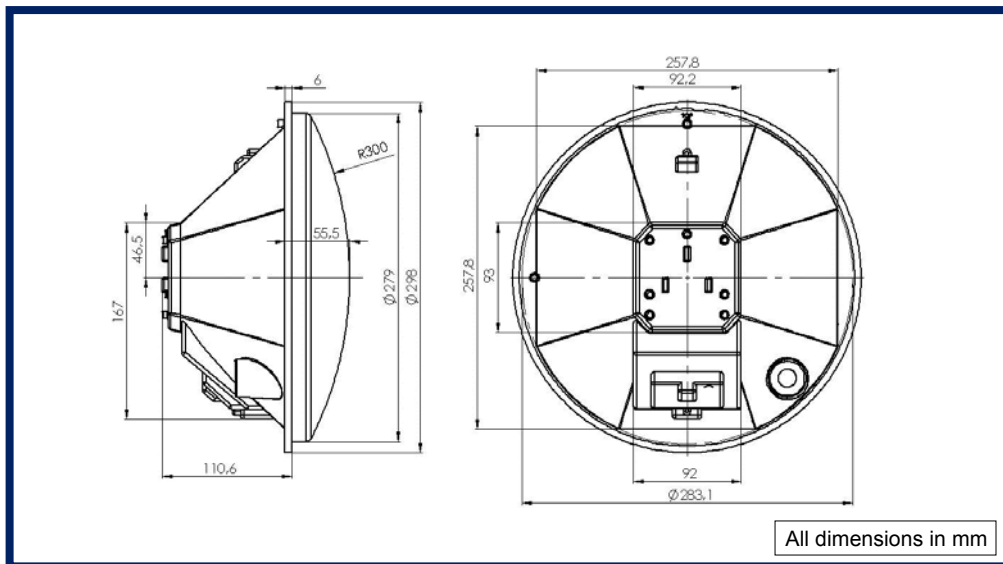
Dialight Garufo GmbH
Gewerbepark Spörerau 25, 85368 Wang, Deutschland
Tel.: +49(0)8709/9249-0 Fax: +49(0)8709/9249-10
Email: sales@dialightgarufo.com
Internet: www.dialightgarufo.com

Dimensions

200mm



300mm



Dialight Garufo GmbH
Gewerbepark Spörrau 25, 85368 Wang, Deutschland
Tel.: +49(0)8709/9249-0 Fax: +49(0)8709/9249-10
Email: sales@dialightgarufo.com
Internet: www.dialightgarufo.com