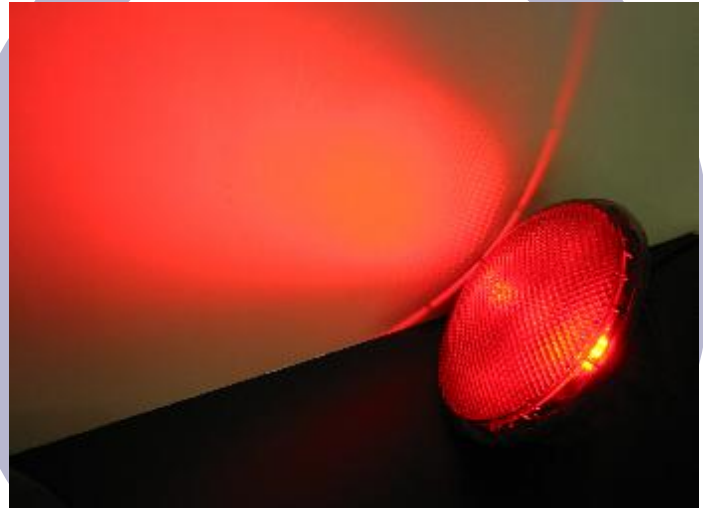


# Dialight

## LED Traffic Signal

Series 438 40VAC  
200 mm / 300 mm  
(Ocit)



- High efficiencies as a result of the new High Flux Reflector Technology and Central Light Source
- No Colour Phantom when fitted with the blackened (smoked effect) lens
- Unrivalled reading contrast

Dialight Garufo GmbH  
Gewerbepark Spörerau 25, 85368 Wang, Deutschland  
Tel.: +49(0)8709/9249-0 Fax: +49(0)8709/9249-10  
Email: [sales@dialightgarufo.com](mailto:sales@dialightgarufo.com)  
Internet: [www.dialightgarufo.com](http://www.dialightgarufo.com)

## Optical advantages and characteristics

	Typical Data		Standard		Definition	
	200 mm	300 mm	200 mm	300 mm	200 mm	300 mm
<b>Luminous Intensity</b> Red Yellow Green	350 cd 350 cd 350 cd	400 cd 400 cd 400 cd	EN 12368, 6.3, Tab. 1		B 2/2 Type W	B 3/2 Type N
<b>Light distribution</b>	Wide angle	Narrow angle	EN 12368, 6.4, Tab. 3	EN 12368, 6.4, Tab. 5	Type W, category B	Type N, category B
<b>Uniformity</b>	minimum 1:2.5	minimum 1: 3.2	EN 12368, 6.5		>1:10	>1:15
<b>Phantom light</b>	No colour phantom		EN 12368, 6.6		No 'false' signal in direct sunlight	
<b>Ratio signal light / reflection</b>	Red >16 Yellow >16 Green >16	Red >16 Yellow >8 Green >16	EN 12368, 6.6		class 5 class 5 class 5	class 5 class 4 class 5
<b>Light colours</b>	Red, Yellow, Green, White		EN 12368, 6.7 DIN 6163, Part 5			

Data based on black outer lens type; measured at room temperature

## Electrical characteristics

Input Voltage: 40VAC Tolerance: -15% to +25%

	Typical Power consumption	Current at 40 VAC
<b>Red</b>	Nominal 7 Watts	175 mA
<b>Yellow</b>	Nominal 7 Watts	175 mA
<b>Green</b>	Nominal 7 Watts	175 mA
<b>White</b>	Nominal 7 Watts	175 mA

measured at room temperature

## Ambient Conditions

Storage temperature	-20°C to +60°C
Storage relative humidity	Max 70%
Operating temperature	-25°C to +70°C

## Standards

All signals follow DIN VDE 0832-300

Optics	EN 12368, DIN 6163, DIN 67527	Safety Class:	DIN EN 60529
EMC	EN 50293	Signal Safety:	DIN VDE 0832-100/-200/-300/-310

Tested by: BAST/SIQ; TUEV Rheinland; EMC: Schwille; Aucoteam

Dialight Garufo GmbH  
 Gewerbepark Spörrerau 25, 85368 Wang, Deutschland  
 Tel.: +49(0)8709/9249-0 Fax: +49(0)8709/9249-10  
 Email: sales@dialightgarufo.com  
 Internet: [www.dialightgarufo.com](http://www.dialightgarufo.com)

## Composition

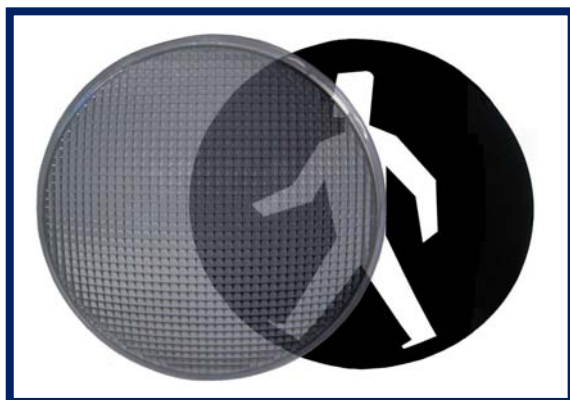


- 1. Front lens material:**  
Polycarbonate.  
(Black and colour dye lens available)
- 2. Fresnel lens material:**  
Clear Acrylic
- 3. Base housing material:**  
Polycarbonate

## Symbols

### Flexible symbol design

Standard or customised symbol designs can be supplied on laser-cut, polycarbonate masks. The mask is mounted inside the outer lens or supplied separately. The outer lens can be supplied in a 'semi-locked' condition to allow a mask to be fitted before the lens is finally locked in position and installed.



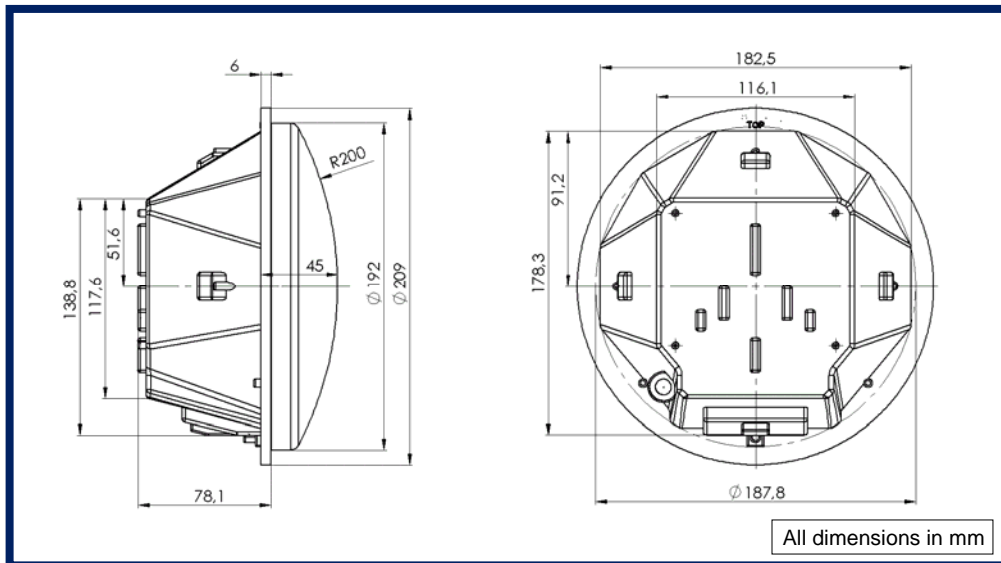
## Part Numbers

	colour	200mm	300mm
<b>Blackened (smoked) lens</b>	Red	144278	144282
	Yellow	144279	144283
	Green	144280	144284
	White	144281	144285
<b>Coloured lens</b>	Red	144286	144290
	Yellow	144287	144291
	Green	144288	144292
	White	N/A	N/A

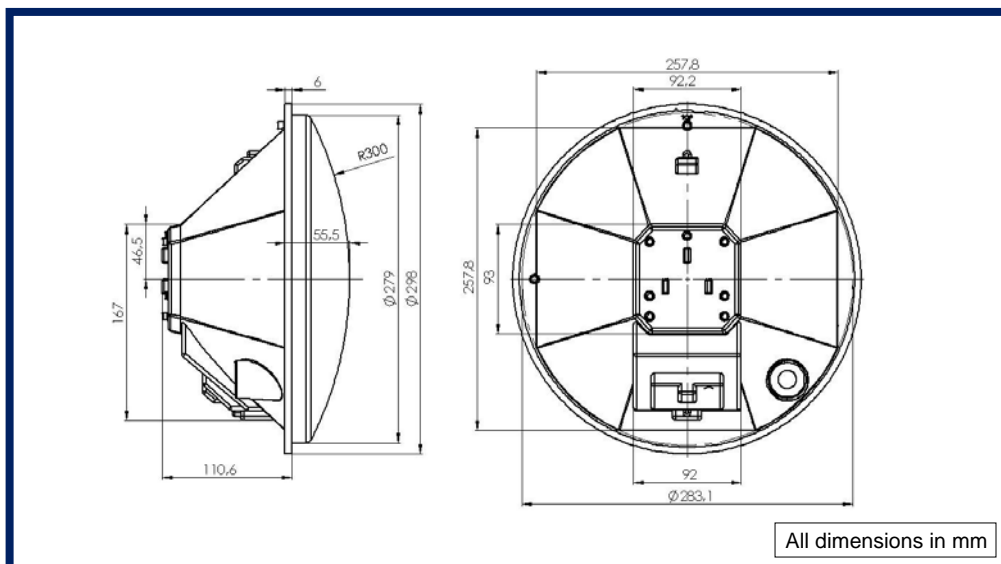
Dialight Garufo GmbH  
 Gewerbepark Spörrerau 25, 85368 Wang, Deutschland  
 Tel.: +49(0)8709/9249-0 Fax: +49(0)8709/9249-10  
 Email: [sales@dialightgarufo.com](mailto:sales@dialightgarufo.com)  
 Internet: [www.dialightgarufo.com](http://www.dialightgarufo.com)

## Dimensions

### 200mm



### 300mm



Dialight Garufo GmbH  
Gewerbepark Spörrerau 25, 85368 Wang, Deutschland  
Tel.: +49(0)8709/9249-0 Fax: +49(0)8709/9249-10  
Email: [sales@dialightgarufo.com](mailto:sales@dialightgarufo.com)  
Internet: [www.dialightgarufo.com](http://www.dialightgarufo.com)