

## LED Traffic Signal

**Series 438 230Vac**

**Asia A1+  
(Dimmable 160Vac)**

**200mm / 300mm**

**Tinted lens**



- **High efficiencies as a result of the new High Flux Reflector Technology and Central Light Source**
- **Low probability of a false 'phantom' signal, due to the optical design and light output intensity**
- **Unrivalled reading contrast**

## Optical advantages and characteristics

	Typical Data		Standard		Definition	
	200 mm	300 mm	200 mm	300 mm	200 mm	300 mm
<b>Luminous Intensity</b> Red Yellow Green	550 cd 500 cd 500 cd	550 cd 500 cd 500 cd	EN 12368, 6.3, Tab. 1		A 3/1 Type W	A 3/1 Type W
<b>Light distribution</b>	Wide angle	Wide angle	EN 12368, 6.4, Tab. 3	EN 12368, 6.4, Tab. 3	Type W, category A	Type W, category A
<b>Uniformity</b>	minimum 1 : 2,8	minimum 1 : 3,9	EN 12368, 6.5		>1 : 10	>1 : 10
<b>Phantom light</b>	No Phantom signals		EN 12368, 6.6		No 'false' signal in direct sunlight	
<b>Ratio signal light / reflection</b>	Red > 16 Yellow > 8 Green > 16	Red > 16 Yellow > 8 Green > 16	EN 12368, 6.6		class 5 class 4 class 5	class 5 class 4 class 5
<b>Light colours</b>	Red, Yellow, Green, White		EN 12368, 6.7 DIN 6163, Part 5			

measured at room temperature

## Electrical characteristics: Preliminary

	Typical power consumption Bright Mode 230Vac	Typical power consumption Dim Mode 160Vac	Current at 230Vac	Current at 160Vac
<b>Red</b>	12 Watt	7.5 Watt	52mA	47mA
<b>Yellow</b>	12 Watt	7.5 Watt	52mA	47mA
<b>Green</b>	13.5 Watt	9 Watt	58mA	56mA
<b>White</b>	13.5 Watt	9 Watt	58mA	56mA

measured at room temperature

## Ambient Conditions

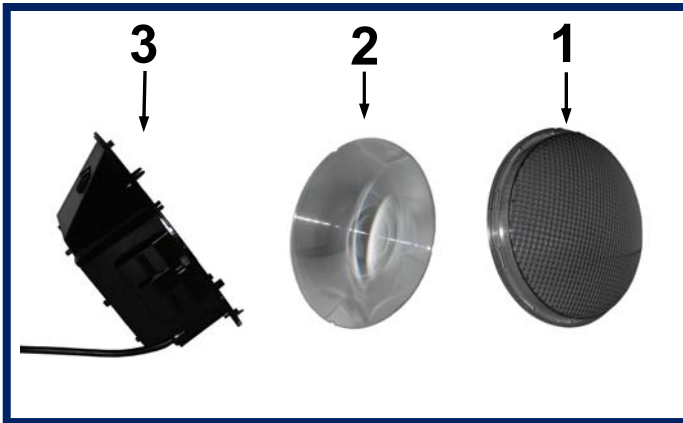
<b>Storage temperature</b>	-20°C to +60°C
<b>Storage relative humidity</b>	Maximum 70%
<b>Operating temperature</b>	-40°C to +60°C

## Part Numbers

	Coloured outer lens
<b>200mm</b>	143986
	143987
	143988
	White TBC
<b>300mm</b>	143968
	143969
	143970
	White TBC

Dialight Garufo GmbH  
 Gewerbepark Spörerau 25, 85368 Wang, Deutschland  
 Tel.: +49(0)8709/9249-0 Fax: +49(0)8709/9249-10  
 Email: sales@dialightgarufo.com  
 Internet: [www.dialightgarufo.com](http://www.dialightgarufo.com)

## Composition

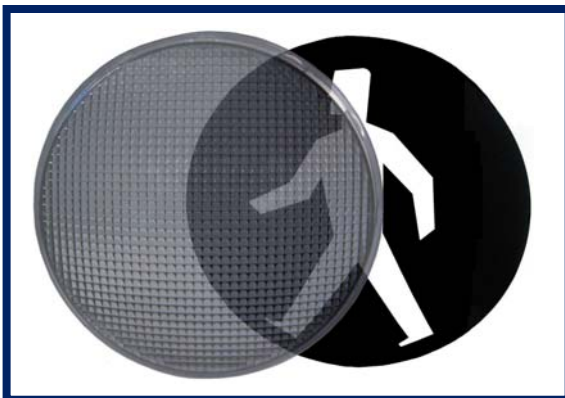


- 1. Front lens material:**  
Polycarbonate.  
(Black and colour dye lens available)
- 2. Fresnel lens material:**  
Clear Acrylic
- 3. Base housing material:**  
Polycarbonate

## Symbols

### Flexible symbol design

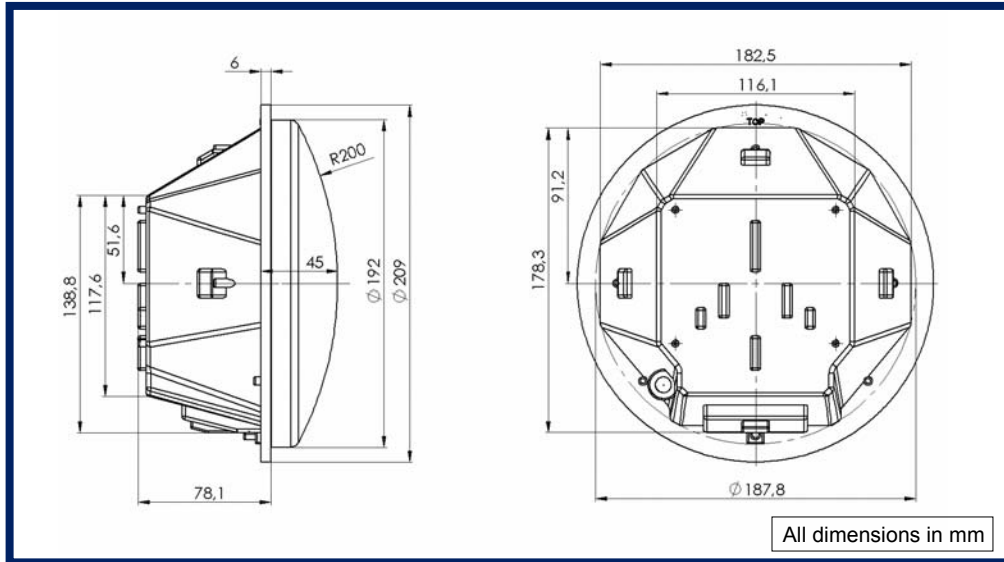
Standard or customised symbol designs can be supplied on laser-cut, polycarbonate masks. The mask is mounted inside the outer lens or supplied separately. The outer lens can be supplied in a 'semi-locked' condition to allow the mask to be swapped or removed before the lens is finally locked in position and installed.



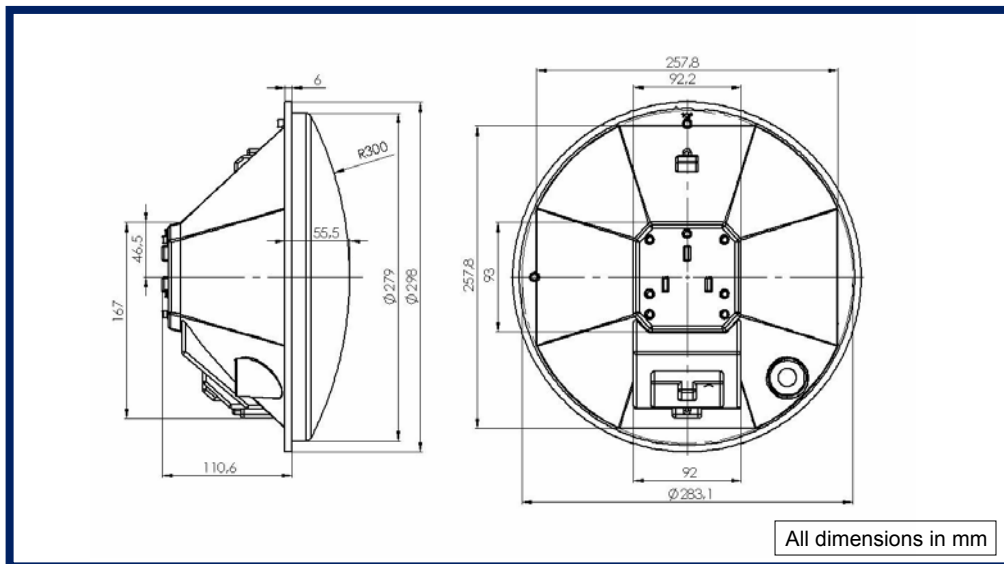
Dialight Garufo GmbH  
Gewerbepark Spörerau 25, 85368 Wang, Deutschland  
Tel.: +49(0)8709/9249-0 Fax: +49(0)8709/9249-10  
Email: [sales@dialightgarufo.com](mailto:sales@dialightgarufo.com)  
Internet: [www.dialightgarufo.com](http://www.dialightgarufo.com)

## Dimensions

### 200mm



### 300mm



Dialight Garufo GmbH  
Gewerbepark Spörrau 25, 85368 Wang, Deutschland  
Tel.: +49(0)8709/9249-0 Fax: +49(0)8709/9249-10  
Email: [sales@dialightgarufo.com](mailto:sales@dialightgarufo.com)  
Internet: [www.dialightgarufo.com](http://www.dialightgarufo.com)